

© COPYRIGHT 1975 BY AMP INCORPORATED, HARRISBURG, PA. ALL INTERNATIONAL RIGHTS RESERVED. AMP INCORPORATED PRODUCTS COVERED BY U. S. AND FOREIGN PATENTS AND/OR PATENTS PENDING.

P	F	ZONE	LTR	DESCRIPTION	DATE	APPROVED
		O3		REWORKED PER 10-10-76 THRU 4-0-80 BENS 1006 F1013	7-2-75	
		O4		ADDED NOTE 1 ECN 2762	10-5-78	AKJ
		O5		REV ECN 2837	1-19-80	30
		A		REV PER ECN AR 2383	4-11-89	
		B		REACTIVATE -21 & -25 REL# 3062 JFG	8-7-89	DLG
		C		REV LOC & DIST AD-4171	11-28-89	BF
		D		REV PER 0010-1352-93	1-20-94	JFK
		E		ECN 0010-1359-93		T.H.
		E1		REVISED PER ECO-09-025273	16NOV09	AEG

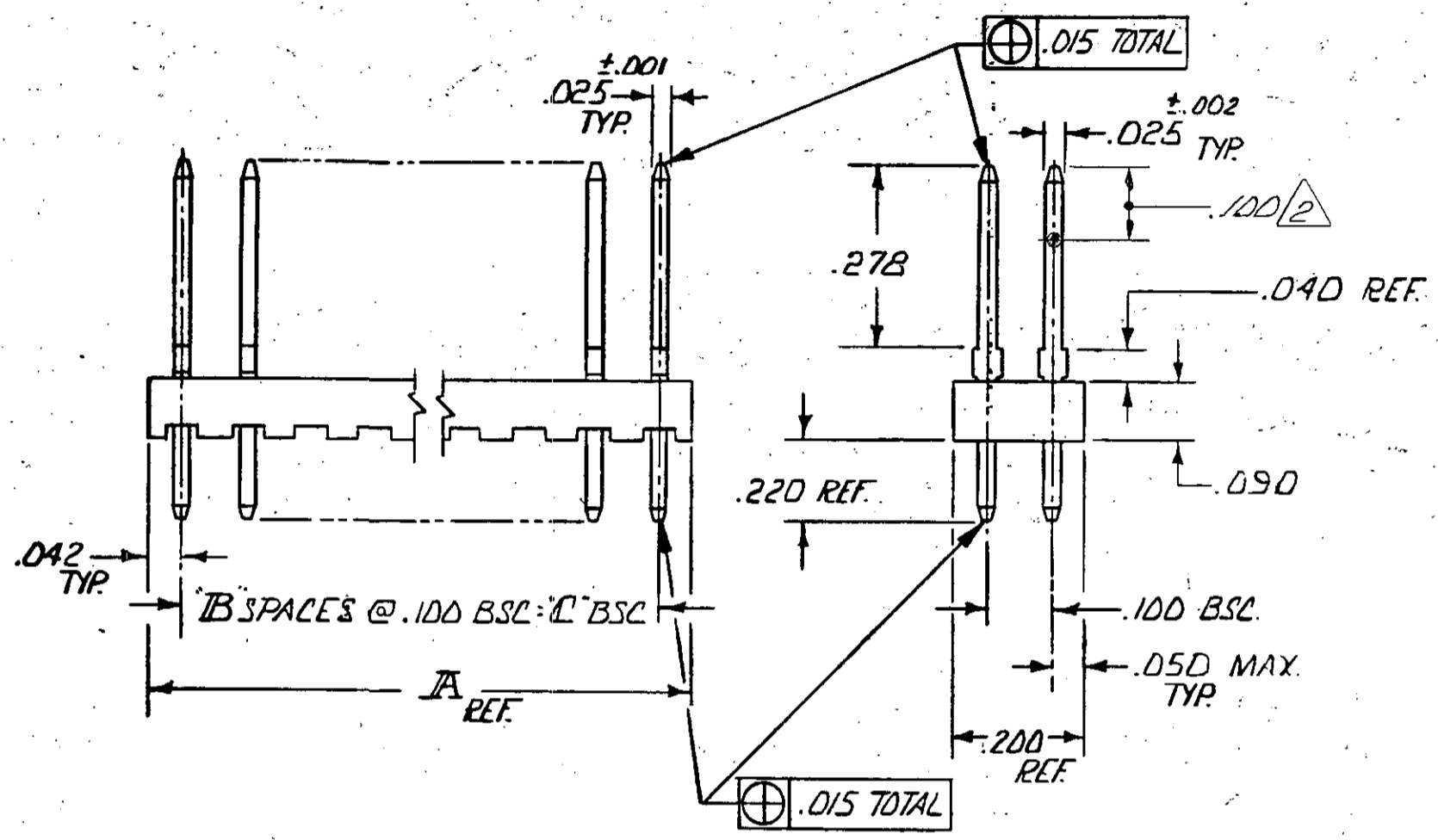
PART NO.	NO. OF PDS.	B	C	A
<del>87346-1</del>	20	9	.900	.984
<del>2</del>	26	12	1.200	1.284
<del>3</del>	4	1	.100	.184
<del>4</del>	50	24	2.400	2.484
<del>5</del>	10	4	.400	.484
<del>6</del>	40	19	1.900	1.984
<del>7</del>	2	-	-	.084
<del>8</del>	6	2	.200	.284
<del>9</del>	8	3	.300	.384
1-87346-0	12	5	.500	.584
1-1	14	6	.600	.684
1-2	16	7	.700	.784
1-3	18	8	.800	.884
1-4	22	10	1.000	1.084
1-5	24	11	1.100	1.184
1-6	28	13	1.300	1.384
1-7	30	14	1.400	1.484
1-8	32	15	1.500	1.584
1-9	34	16	1.600	1.684
2-87346-0	36	17	1.700	1.784
2-1	38	18	1.800	1.884
2-2	42	20	2.000	2.084
2-3	44	21	2.100	2.184
2-4	46	22	2.200	2.284
2-5	48	23	2.300	2.384
2-6	52	25	2.500	2.584
2-7	54	26	2.600	2.684
2-8	56	27	2.700	2.784
2-9	58	28	2.800	2.884
3-87346-0	60	29	2.900	2.984
3-1	62	30	3.000	3.084
3-2	64	31	3.100	3.184
3-3	66	32	3.200	3.284
3-4	68	33	3.300	3.384
3-5	70	34	3.400	3.484
3-6	72	35	3.500	3.584
3-7	74	36	3.600	3.684
3-8	76	37	3.700	3.784
3-9	78	38	3.800	3.884
4-87346-0	80	39	3.900	3.984

OBSOLETE  
4

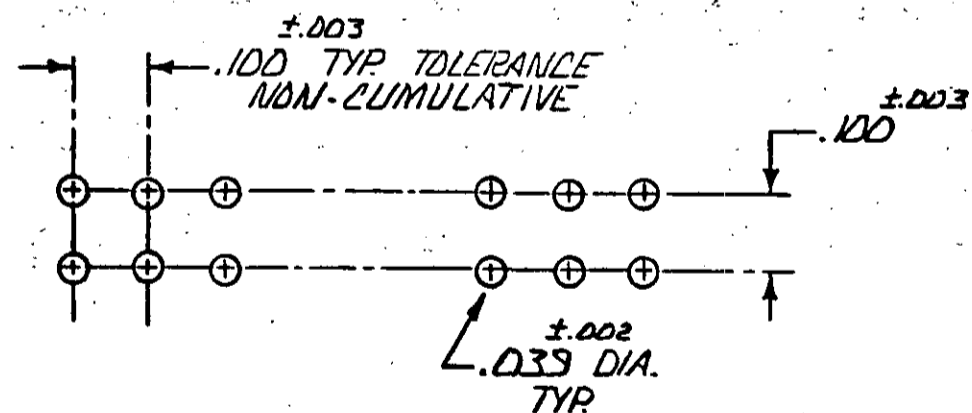
OBSOLETE  
4

OBSOLETE  
4

OBSOLETE  
4



- 1. TRUE POSITION TOLERANCE OF POST TIPS APPLIES WHEN HEADERS ARE HELD FLAT AGAINST PRINTED CIRCUIT BOARD.
- 2. POINT OF MEASUREMENT FOR PLATING THICKNESS.
- 3. OBSOLETE PART NUMBER.
- 4. OBSOLETE PARTS: OBSOLETE CIS STREAMLINING PER D.RENAUD/D.SINISI



RECOMMENDED HOLE LAYOUT

UNLESS OTHERWISE SPECIFIED DIMENSIONS ARE IN INCHES. TOLERANCES ON: DECIMALS ±.005 ANGLES ±		CONTRACT NO		PART NO	
MATERIAL HSB. - GLASS FILLED NYLON COLOR: BLACK POST - PHOS. BRONZE		DR D. [Signature] 7/10/75		AMP INCORPORATED Harrisburg, Pa.	
FINISH POST - .000015 GOLD OVER .000050 NICKEL		CHK B. [Signature] 7-11-75		NAME HOUSING ASSEMBLY, MOD II, 100 x 100 GRID, DBL. ROW	
		APPD B. [Signature] 7/29/75		SIZE CODE IDENT NO DRAWING NO C 00779 87346	
		DSGN APPD		SCALE	
		OTHER APPD		SHEET 1 of 1	